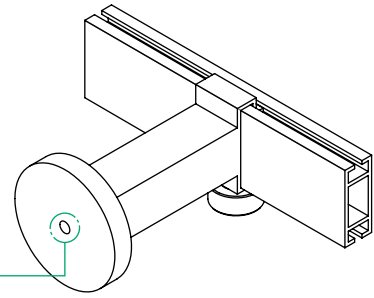
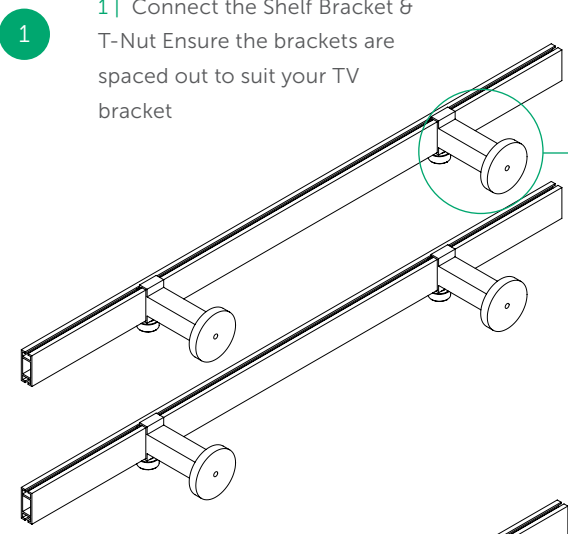
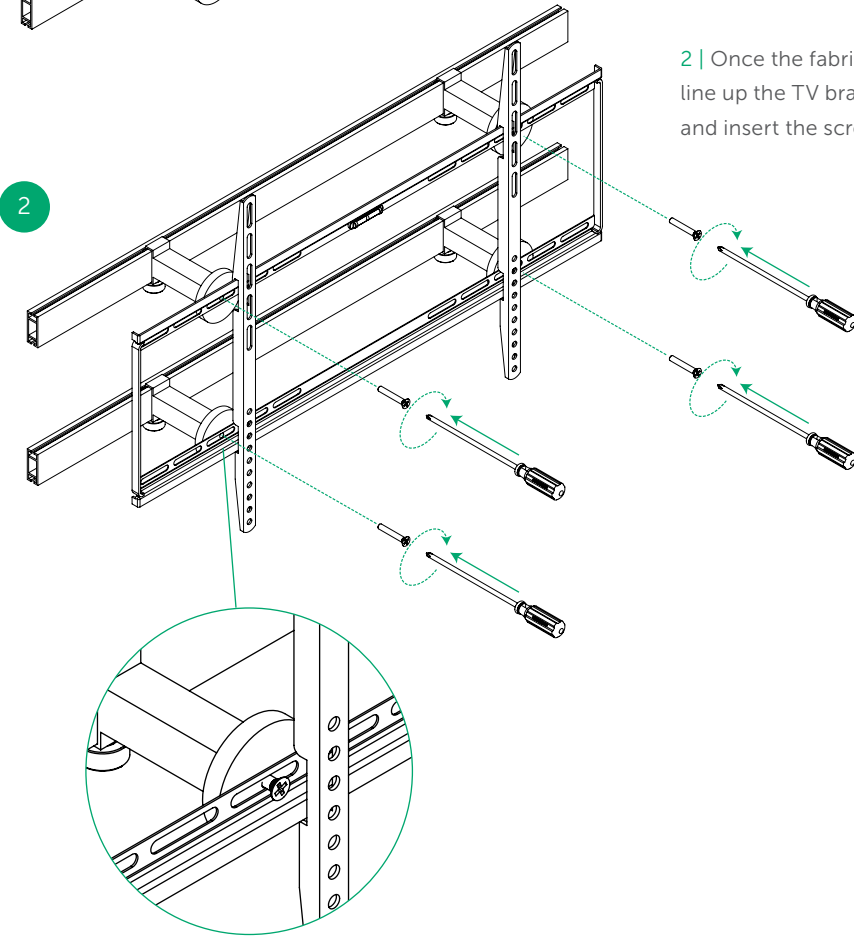


OPTIONAL EXTRA: HOW TO CONNECT A TV BRACKET



Connection Method

For heavier items and objects such as TV's, you can screw directly into the threaded hole located in the centre of the bracket



Optional Extras RX-248 & 249



SCAN QR TO VIEW VIDEO

