

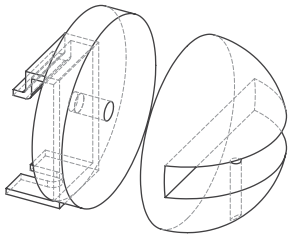
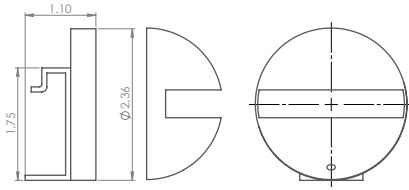
Lorem ipsum dolor sit amet, consectetur adipiscing elit. Donec ac ex sagittis, tincidunt sem non, mollis arcu. Sed porta mireget tellus laculis mattis. Proin facilisis sodales leo, non sollicitudin enim pellentesque ac. Vestibulum mollis sapien at blandit eleifend. Morbi sagittis elementum maximus. Mauris porta tincidunt risus, eget tincidunt ante porta nec. Fusce ac commodo nisi, at ultrices velit. Vestibulum et tellus eu massa luctus accumsan.



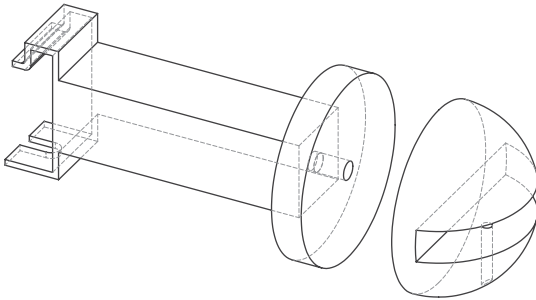
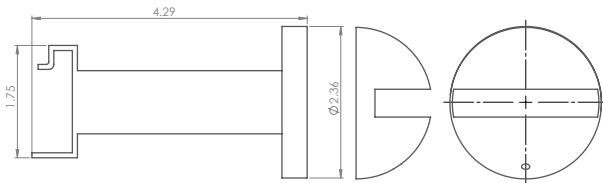
Shelf Bracket Kits

RX-248 & RX-249 & RX-254

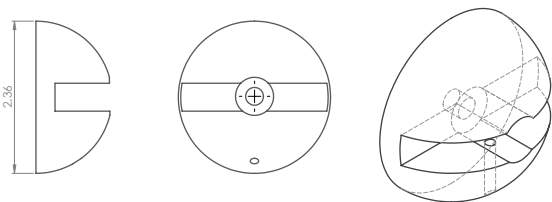
RX-248
MAGNETIC SHELF BRACKET KIT (105/112)



RX-249
MAGNETIC SHELF BRACKET KIT (108/110)



RX-254
HEAVY DUTY SHELF ADAPTER



Shelf Bracket Kits

RX-248 & RX-249 & RX-254



WEIGHT (RX-248)

1lb 4.8oz per unit



WEIGHT (RX-249)

1lb 6.5oz per unit



WEIGHT (RX-254)

(weight of adapter only)

11oz lbs per unit

KEY FEATURES

- Magnetic Shelf System + Screw in HD Adapter
- Easily integrated into existing frames
- Magnet System holds up to 10lbs
- HD Adapter holds over 10lbs
- TV monitors can be integrated

DESCRIPTION

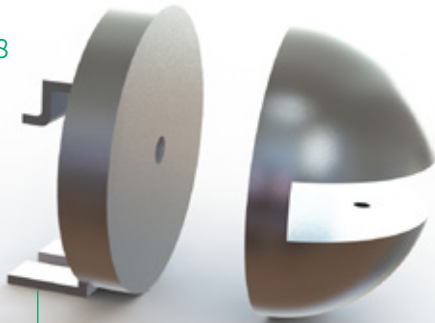
The Shelf Kits are a seamless integration into the REXframe system.

Perfect for retail or any space that requires a product display, the sleek design and simple magnetic system make them easy to install and move around if necessary. The HD Adapter can be integrated for heavier items, and TV monitors can be attached by screwing directly into the bracket.

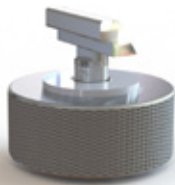
The Magnetic Shelf Bracket Kit (105/112) - RX-248 works specifically with profiles RX-105 and RX-112, and the Magnetic Shelf Bracket Kit (108/110) - RX-249 Kit with RX-108 & RX-110. The Heavy Duty Shelf Adapter - RX-254 connects directly with both brackets.

Product Information & Usage

RX-248



INCLUDED IN KITS



RX-207
KNURLED NUT



RX-404
ALLEN KEY

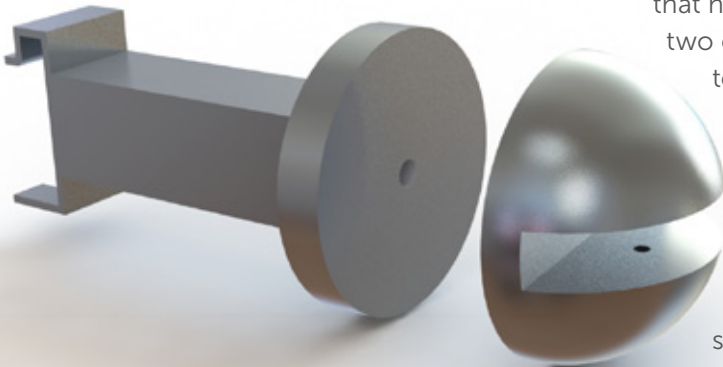
The RX-248 & 249 Kits include the following accessories:

- **x1** | Knurled Nut (RX-207)
- **x1** | Allen Key (RX-404)
*Small Allen Key Only

The RX-254 HD Shelf Adapter includes:

- **x1** | M6 Screw

RX-249

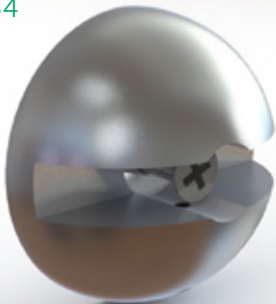


WEIGHT

When using the Magnet system It is recommended that no more than **10 lbs** be placed on each bracket, two or more brackets can be used along a support to cater for larger items.

When items exceed **10 lbs** the RX-254 Heavy Duty Shelf Adapter should be used. Heavy weight should always be counter weighted on the opposing side, i.e.; if there is too much weight at the front of the frame, rear supports with sandbags should be used on the other side of the frame.

RX-254



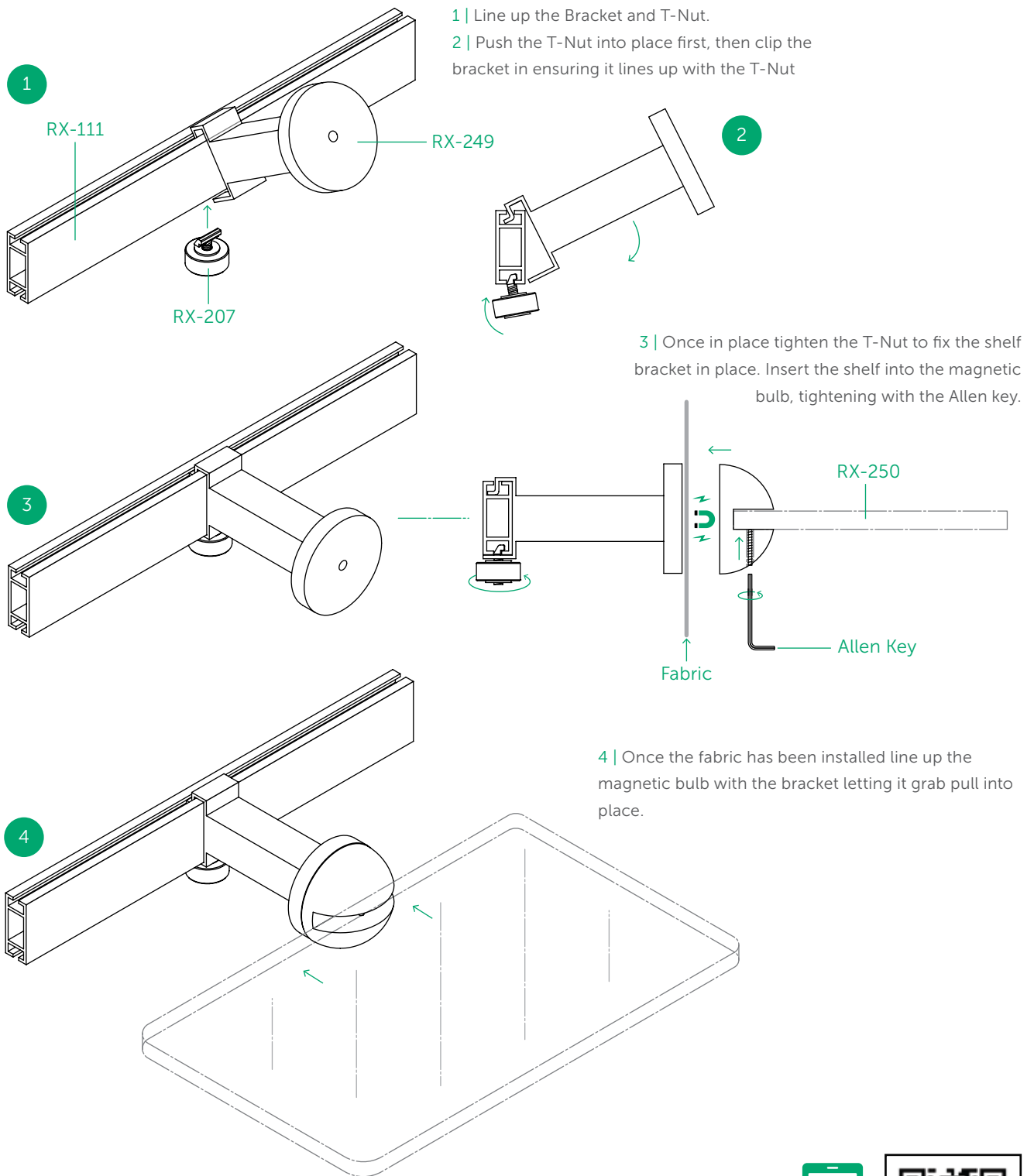
SHELVING

The Acrylic Shelf (RX-250) can be used directly with all brackets, it measures 11.8"(w) x 5.9"(h) at 3/8" thickness.

For custom shelving it is recommended that 3/8" thick sheets are used.

HOW TO CONNECT THE MAGNETIC SHELF BRACKET & SHELF

*RX-249 Shown in example



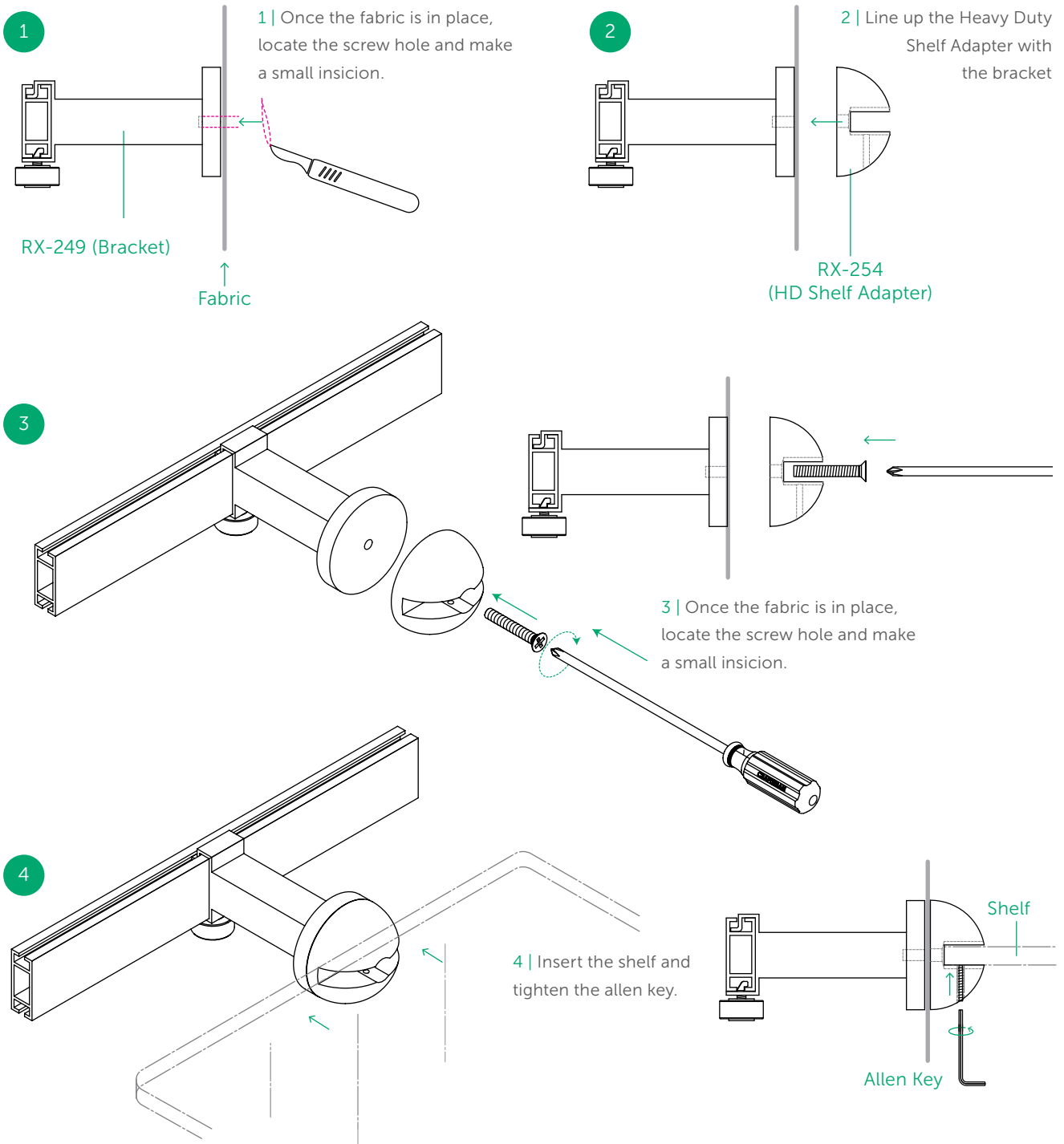
Installation RX-248 & 249



SCAN QR TO VIEW VIDEO



OPTIONAL EXTRA: HOW TO CONNECT A HEAVY DUTY ADAPTER



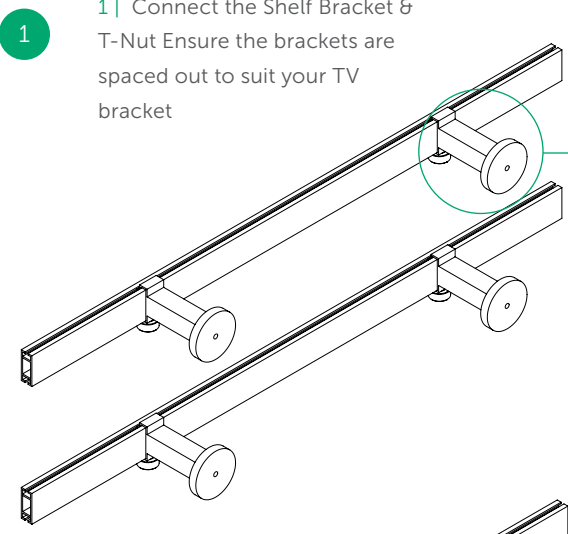
Optional Extras RX-254



SCAN QR TO VIEW VIDEO

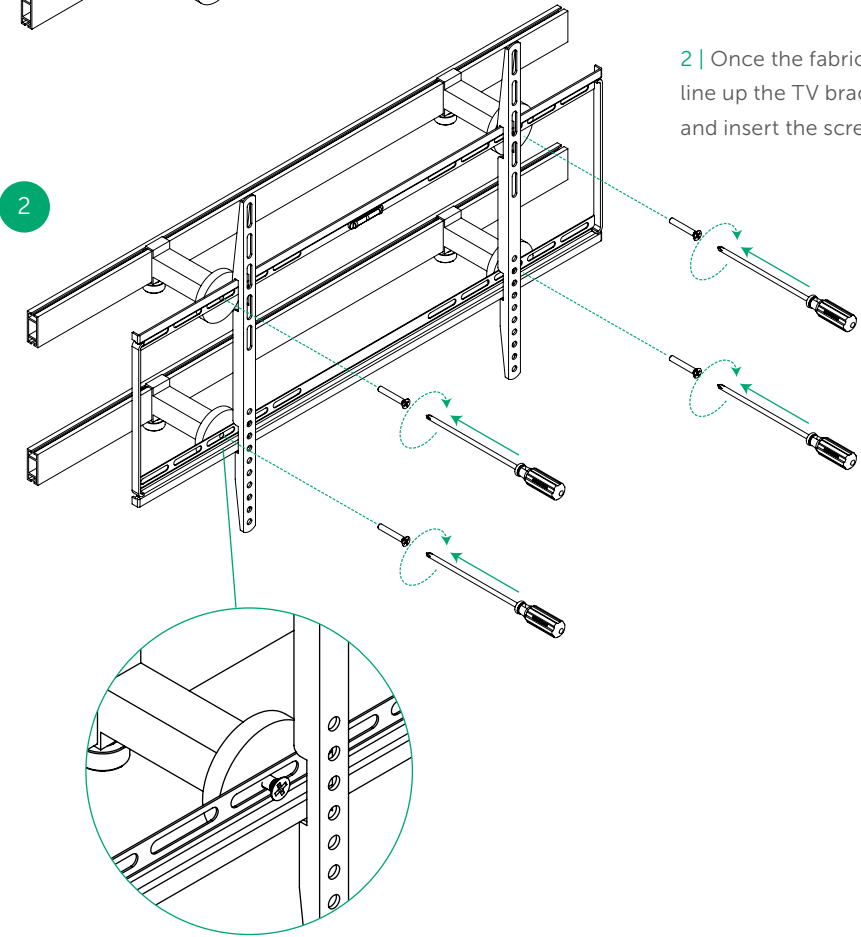
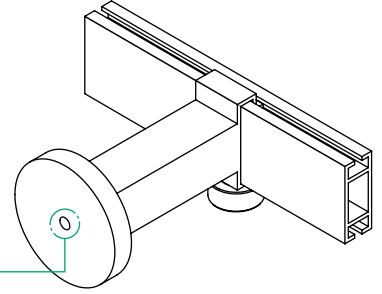


OPTIONAL EXTRA: HOW TO CONNECT A TV BRACKET



Connection Method

For heavier items and objects such as TV's, you can screw directly into the threaded hole located in the centre of the bracket.



Optional Extras RX-248 & 249



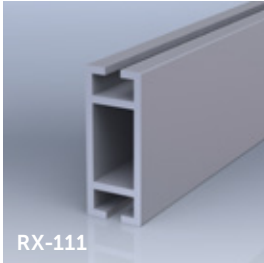
SCAN QR TO VIEW VIDEO



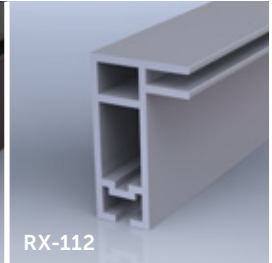
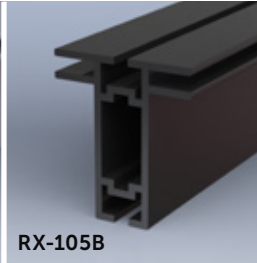
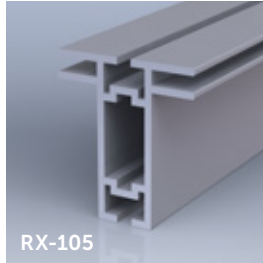
The Shelf Bracket Kits are compatible with the following Products

Profiles

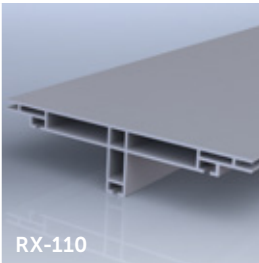
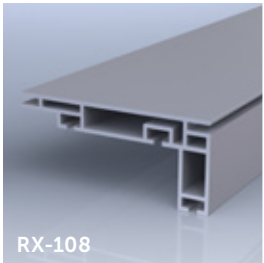
Primary | Clips directly into RX-111



RX-248 Compatible

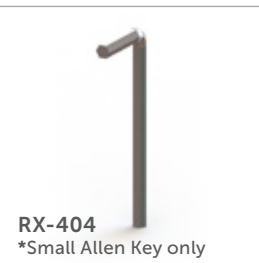


RX-249 Compatible

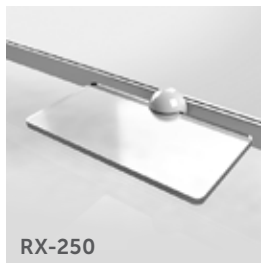


Accessories & Tools

Included with RX-248 & 249



Primary



Shelf Bracket Kit Compatibility